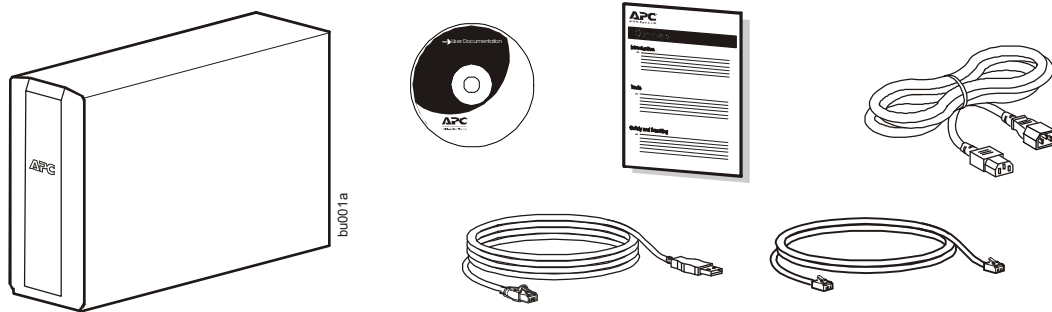


Installation and Operation Back-UPS™ Pro 550/900/1200/1500 230V

Inventory



Safety and General Information

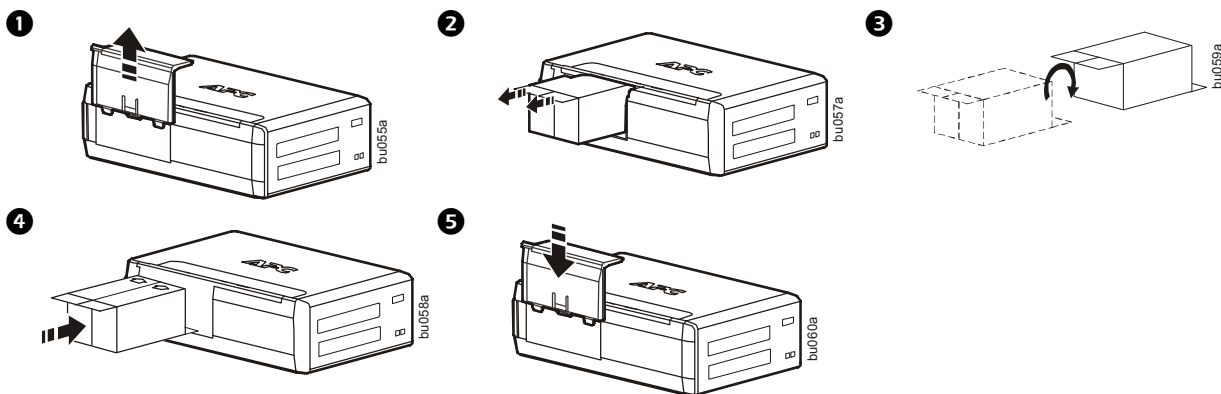


Inspect the package contents upon receipt. Notify the carrier and dealer if there is any damage.

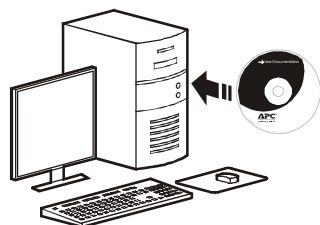
Read the Safety Guide supplied with this unit before installing the UPS.

- This UPS is intended for indoor use only.
- Do not operate this UPS in direct sunlight, in contact with fluids, or where there is excessive dust or humidity.
- Be sure the air vents on the UPS are not blocked. Allow adequate space for proper ventilation.
- The battery typically lasts for three to five years. Environmental factors impact battery life. Elevated ambient temperatures, poor quality AC power, and frequent short duration discharges will shorten battery life.
- Connect the UPS power cable directly to a wall outlet. Do not use surge protectors or extension cords.

Connect the Battery

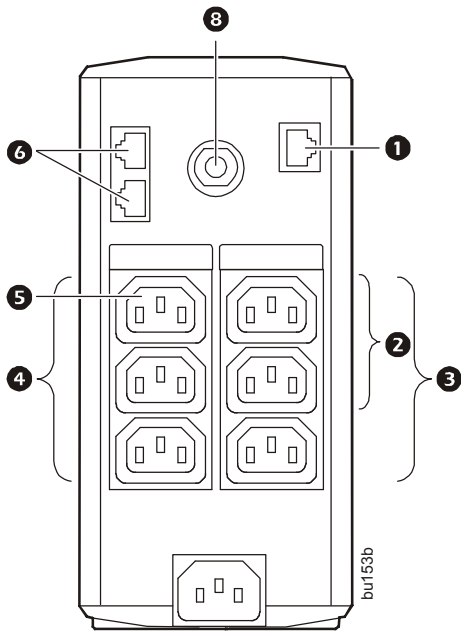


Install PowerChute™ Personal Edition Software

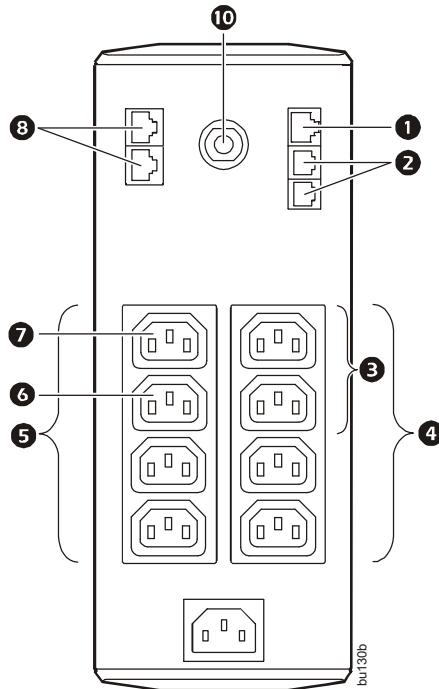


APC by Schneider Electric PowerChute Personal Edition software provides automatic file saving and shutdown of your computer in the event of a power failure. Use the cable supplied with the Back-UPS to connect the data port on the Back-UPS to the USB port on your computer. Place the CD into your computer, and follow the on-screen instructions.

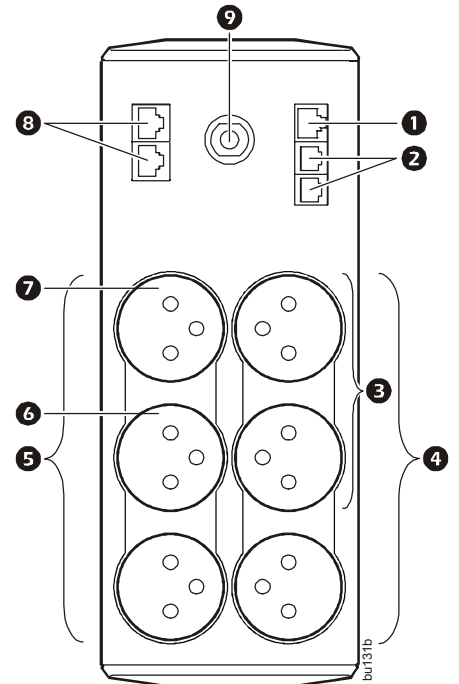
Connect the Equipment



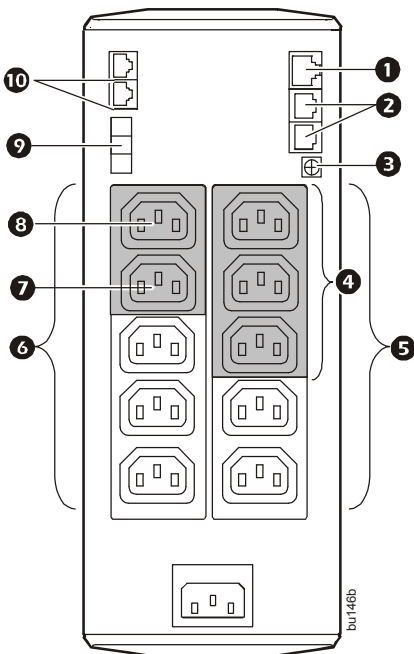
BR550GI Rear Panel



BR900GI Rear Panel

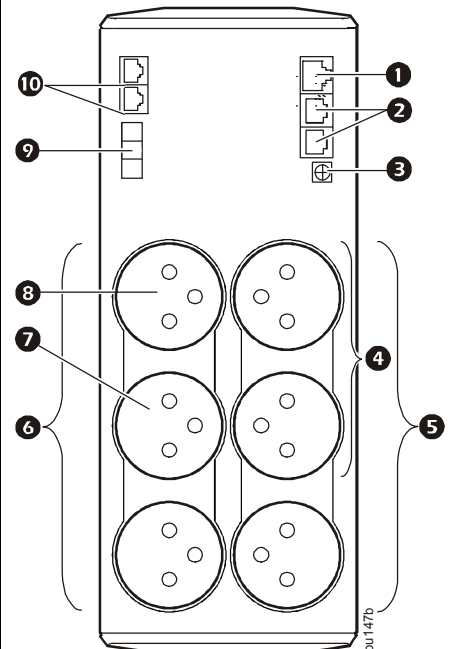


BR900G-FR Rear Panel



**BR1200GI and BR1500GI
Rear Panel**

1	USB and Serial Data Port
2	Telephone Cable Surge Protected Ports
3	Ground Screw (BR1200GI/1500GI, BR1200G-FR/1500G-FR only)
4	Surge Protected outlets, controlled by the Master outlet <i>This appears as:</i> 2 on the BR550GI panel 3 on the BR900GI and BR900G-FR panels
5	Surge Protected outlets <i>This appears as:</i> 3 on the BR550GI panel 4 on the BR900GI and BR900G-FR panels
6	Battery Backup outlets with Surge Protection <i>This appears as:</i> 5 on the BR550GI and BR900G-FR panels
7	Battery Backup outlets with Surge Protection, controlled by the Master outlet <i>This appears as:</i> 6 on the BR900G-FR panel
8	Master Outlet <i>This appears as:</i> 6 on the BR550GI panel 7 on the BR900G-FR panel
9	External Battery Pack connector (BR1500GI and BR1500G-FR only)
10	In & Out Ethernet surge-protected ports <i>This appears as:</i> 7 on the BR550GI panel 8 on the BR900G-FR panel 9 on the BR900GI panel
11	Circuit Breaker <i>This appears as:</i> 8 on the BR550GI panel 9 on the BR900G-FR panel 10 on the BR900GI panel



**BR1200G-FR and BR1500G-FR
Rear Panel**

❶ USB and Serial Data port	To use PowerChute Personal Edition, connect a serial cable or USB cable.
❷ Telephone cable surge-protected ports	Connect a telephone cable to the IN port, and connect a modem to the OUT port.
❸ Ground screw	Connect the ground lead of additional surge suppression devices such as network and data line surge protectors.
❹ Surge Protected outlets, controlled by the Master outlet	These outlets are protected from electrical surges, and will disconnect from AC power during a power outage, or if the Master device goes into Sleep or Standby mode.
❺ Surge Protected outlets	These outlets provide full-time protection from surges, even if the Back-UPS is off. Connect equipment such as printers and scanners that do not require battery backup protection.
❻ Battery Backup outlets with Surge Protection	During a power outage or other AC problems, the Battery Backup outlets receive power for a limited time from the Back-UPS. Connect critical equipment such as desktop computer, computer monitor, modem or other data sensitive devices into these outlets.
❼ Battery Backup outlet with Surge Protection, controlled by the Master outlet	These outlets will supply battery power to the connected equipment during a power outage. Power will be disconnected to these outlets if the Master device goes into Sleep or Standby mode. Connect equipment such as a computer monitor to these outlets.
❽ Master outlet	Connect the master device to this outlet, in most scenarios, this will be the main computer.
❾ External Battery Pack connector (BR1500GI only)	Connect an external battery pack to provide additional battery backup runtime (Back-UPS Pro 1500 only).
❿ In & Out Ethernet surge-protected ports	Use an ethernet cable to connect a cable modem to the IN port, and connect a computer to the OUT port.
⓫ Circuit breaker	Use to reset the system after an overload condition has occurred causing the circuit breaker to trip.

Operation

Power-Saving Function



To conserve electricity, configure the Back-UPS to recognize a Master device, such as a desktop computer or an A/V receiver, and Controlled peripheral devices, such as a printer, speakers, or a scanner. When the Master device goes into Sleep or Standby mode, or is switched OFF, the Controlled device(s) will be switched off as well, saving electricity.

Enable the Power-Saving function. Press and hold MUTE and DISPLAY simultaneously for two seconds. The Back-UPS will beep to indicate that the feature is enabled. The leaf icon on the display will illuminate.

Disable the Power-Saving function. Press and hold MUTE and DISPLAY simultaneously for two seconds. The Back-UPS will beep to indicate that the feature is disabled. The leaf icon on the display will darken.

Setting the threshold. The amount of power used by a device in Sleep or Standby mode varies between devices. It may be necessary to adjust the threshold at which the Master outlet signals the Controlled outlets to shut down.

1. Ensure a master device is connected to the Master outlet. Put that device into Sleep or Standby mode, or turn it OFF.
2. Press DISPLAY and MUTE simultaneously and hold for six seconds, until the leaf icon flashes three times and the Back-UPS beeps three times.
3. The Back-UPS will now recognize the threshold level of the Master device and save it as the new threshold setting.

Power-Saving Display

The display interface can be configured to be continuously illuminated, or to save energy, it can be configured to darken after a period of inactivity.

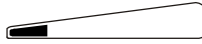
1. Full Time Mode: Press and hold DISPLAY for two seconds. The display will illuminate and the Back-UPS will beep to confirm the Full-Time mode.
2. Power-Saving Mode: Press and hold DISPLAY for two seconds. The display will darken and the Back-UPS will beep to confirm the Power-Saving mode. While in Power-Saving Mode, the display will illuminate if a button is pressed, it then darkens after 60 seconds of no activity.

Unit sensitivity

Adjust the sensitivity of the Back-UPS to control when it will switch to battery power; the higher the sensitivity, the more often the Back-UPS will switch to battery power.

1. Ensure the Back-UPS is connected to AC power, but is OFF.
2. Press and hold the POWER button for six seconds. The LOAD CAPACITY bar will flash on and off, indicating that the Back-UPS is in programming mode.
3. Press POWER again to rotate through the menu options. Stop at selected sensitivity. The Back-UPS will beep to confirm the selection.

Low sensitivity



Input voltage is extremely low or high. (Not recommended for computer loads.)

Medium sensitivity (Default)



The Back-UPS frequently switches to battery power.

High sensitivity



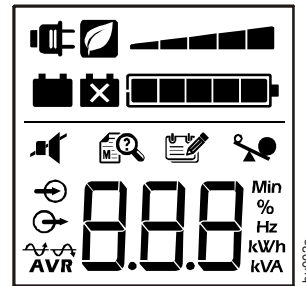
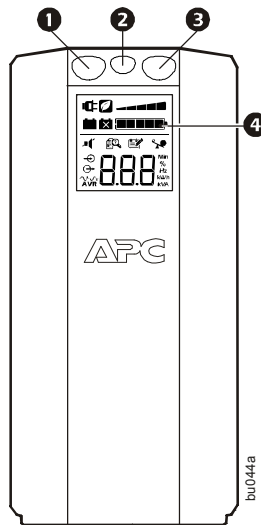
The connected equipment is sensitive to voltage fluctuations.

Front Panel Buttons and Display Interface

Use the three buttons on the front panel of the Back-UPS and the display interface to configure the Back-UPS.

Front panel

- ① Mute button
- ② Power On/Off button
- ③ Display button
- ④ Display interface



On Line: The Back-UPS is supplying conditioned AC power to connected equipment



Power-Saving: Master and Controlled outlets are enabled, saving power when the master device goes into sleep or standby mode



Load Capacity: The load is indicated by the number of sections illuminated, one to five. Each bar represents 20% of the load.



Battery Charge: The battery charge level is indicated by the number of sections illuminated. When all five blocks are illuminated, the Back-UPS is at full charge. When one block is filled, the Back-UPS is near the end of its battery capacity, the indicator will flash and the Back-UPS will beep continuously.



Overload: The power demand from the load has exceeded the capacity of the Back-UPS.



Event: The event counter shows the number of events that occurred that caused the Back-UPS to switch to on-battery operation.



Automatic Voltage Regulation: The Back-UPS can compensate for high or low input voltage.



When illuminated, the Back-UPS is compensating for low input voltage.



When illuminated, the Back-UPS is compensating for high input voltage.



Input voltage.
Output voltage.



System Faults: The system has a fault. The fault number will illuminate on the display interface. See System Faults on page 6.



Mute: If the line through the speaker icon is illuminated, the audible alarm has been turned off.



Replace Battery: The battery is not connected or is nearing the end of its useful life. Replace the battery.



On Battery: The Back-UPS is supplying battery backup power to the connected equipment, it will beep four times every 30 seconds.

Warnings and System Faults

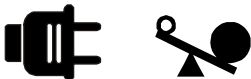
Audible Warnings

Four Beeps Every 30 Seconds	Back-UPS is running on battery. You should consider saving any work in progress.
Continuous Beeping	Low battery condition and battery run-time is very low. Promptly save any work in progress, exit all open applications, and shut down the operating system.
Continuous tone	Battery Backup outputs are overloaded.
Chirps for 1 Minute every 5 hours	Battery fails the automatic diagnostic test and should be replaced.

Warning Icons

If these icons are illuminated...

This may be the problem.



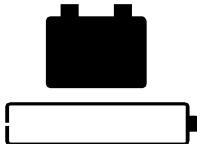
The Back-UPS is operating on AC power, but is overloaded. Disconnect one of the items connected to the Back-UPS. If the Overload icon stops flashing, the Back-UPS is no longer overloaded and will continue to operate normally.



The Back-UPS is operating on battery power, but is overloaded. Disconnect one of the items connected to the Back-UPS. If the Overload icon stops flashing, the Back-UPS is no longer overloaded and will continue to operate normally.



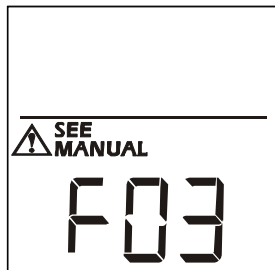
The Back-UPS is operating on AC power, but the battery is not functioning properly. Contact Schneider Electric IT (SEIT) Customer Service to order a replacement battery. See Replace Battery on page 9.



The Back-UPS is operating on battery power and the battery power is getting low. Shut down all connected equipment to avoid losing an unsaved data. When possible, connect the Back-UPS to AC power to recharge the batter.

System Faults

The Back-UPS will display these fault messages. For faults F01 and F02, contact SEIT Technical Support.



F01	On-Battery Overload	Turn the Back-UPS off. Disconnect non-essential equipment from the Battery Backup outlets and the turn Back-UPS on.
F02	On-Battery Output Short	Turn the Back-UPS off. Disconnect non-essential equipment from the Battery Backup outlets and the turn Back-UPS on.
F03	On-Battery Xcap Overload	
F04	Clamp Short	
F05	Charge Fault	
F06	Relay Welding	Faults F03-F09 cannot be corrected by the user, contact SEIT Technical Support for assistance.
F07	Temperature	
F08	Fan Fault	
F09	Internal Fault	

Function Button Quick Reference

Function	Button	Timing (seconds)	UPS Status	Description
Power				
Power On		0.2	Off	Press POWER to start receiving input AC power. If AC input power is not available, the Back-UPS will run on battery power.
Power Off		2	On	The Back-UPS is not receiving input AC power, but is providing surge protection.
Display				
Status Inquiry		0.2	On	Verify the status or condition of the Back-UPS. The LCD will illuminate for 60 seconds.
Full-Time/Power-Saving mode		2	On	The LCD will illuminate and the Back-UPS will beep to confirm the Full-Time mode. The LCD will darken and the Back-UPS will beep to confirm the Power-Saving mode. While in Power-Saving Mode, the LCD will illuminate if a button is pressed, then darkens after 60 seconds of no activity.
Mute				
Event Specific		0.2	On	Disable any audible alarms caused by an event.
General Status Enable/Disable		2	On	Enable or disable the audible alarms. The Mute icon will illuminate and the Back-UPS will beep one time. The Mute function will not activate unless the Back-UPS is operating on battery power.
Sensitivity		6	Off	The Load Capacity icon will blink, indicating that the Back-UPS is in programming mode. Use the POWER button to scroll through Low, Medium, and High, stop at selected sensitivity. The Back-UPS will beep to confirm selection. See Configuration for details.
Master/Controlled outlet Enable/Disable		2	On	The leaf icon will darken indicating that the Master Outlet feature is disabled or illuminate to indicate the Master Outlet feature is enabled. The Back-UPS will beep once.
Master/Enable Threshold Calibration		6	On	While calibrating the threshold setting, the device connected to the Master Outlet should be turned off or placed in Standby or Sleep mode. Upon completion, Power-Saving icon will flash 3 and beep 3 times.
Self-Test (manual)		6	On	The Back-UPS will perform a test of the internal battery. Note: This will happen automatically when the Back-UPS is turned ON.
Event Reset		0.2	On	When the Event screen is visible, press and hold DISPLAY, then press POWER, to clear the AC failure event counter.
Fault Reset		2	Fault	After a fault has been identified, press POWER to remove the visual indication and return to standby status.

Troubleshooting

Problem	Possible Cause	Corrective Action
Back-UPS will not switch on.	The Back-UPS is not connected to AC power.	Ensure that the Back-UPS is securely connected to an AC outlet.
	The circuit breaker has been tripped.	Disconnect non-essential equipment from the Back-UPS. Reset the circuit breaker. Re-connect equipment one item at a time. If the circuit breaker is tripped again, disconnect the device that caused the trip.
	The internal battery is not connected.	Connect the battery.
	The AC input voltage is out of range.	Adjust the transfer voltage and sensitivity range.
The Back-UPS does not provide power during a AC power outage.	Ensure that essential equipment is not plugged into a SURGE ONLY outlet.	Disconnect equipment from the SURGE ONLY outlet and re-connect to a Battery Backup outlet.
The Back-UPS is operating on battery power, while connected to AC power.	The plug has partially pulled out of the wall outlet, the wall outlet is no longer receiving AC power, or the circuit breaker has been tripped.	Ensure that the plug is fully inserted into the wall outlet. Ensure that the wall outlet is receiving AC power by checking it with another device.
	The Back-UPS is performing an automatic self test.	No action is necessary.
	The AC input voltage is out of range, the frequency is out of range, or the waveform is distorted.	Adjust the transfer voltage and sensitivity range.
The Back-UPS does not provide the expected amount of backup time.	Battery Backup outlets may be fully or improperly loaded.	Disconnect non-essential equipment from the Battery Backup outlets and connect the equipment to SURGE ONLY outlets.
	The battery was recently discharged due to a power outage and has not fully recharged.	Charge the battery cartridge for 16 hours.
	The battery has reached the end of its useful life.	Replace the battery.
The REPLACE BATTERY indicator is illuminated.	The battery has reached the end of its useful life.	Replace the battery.
The OVERLOAD indicator is illuminated.	The equipment connected to the Back-UPS is drawing more power than the Back-UPS can provide.	Disconnect non-essential equipment from the Battery Backup outlets and connect the equipment to SURGE ONLY outlets.
The SYSTEM FAULT indicator is illuminated, all the front panel indicators are flashing.	There is an internal fault.	Determine which internal fault message is displayed by matching the number displayed on the LCD with the corresponding Fault Message (see System Faults) and contact SEIT Technical Support.
Power is not supplied to some outlets.	Power to the Controlled outlets has intentionally been turned off.	Confirm that the correct peripherals are connected to Controlled outlets. If this feature is not desired, disable the Power-Saving Master and Controlled outlets.
The Controlled outlets are not supplying power, even though the Master device is not in sleep mode.	The Master Outlet threshold may be incorrectly set.	Adjust the threshold when the Master outlet signals the Controlled outlets to shut down.

Specifications

Model	BR550GI	BR900GI	BR900G-FR	BR1200GI	BR1500GI	BR1200G-FR	990-1500G-FR
VA	550 VA	900 VA		1200 VA	1500 VA	1200 VA	1500 VA
Maximum Load	330 W	540 W	W	720 W	865 W	720 W	865 W
Nominal Input Voltage	230 V						
Online Input Voltage	176 - 282 V	176 - 294 V					
Automatic Voltage Regulation	(188 - 214) +10.8% (252 - 266) -10.8%						
Frequency Range	50/60 Hz ±1 Hz						
On-battery Waveshape	Step-approximated sine-wave						
Typical Recharge Time	12 hours	8 hours					
Transfer Time	8 ms, maximum	10 ms, maximum					
Operating Temperature	0° to 40° C (32° to 104° F)						
Storage Temperature	-15° to 45° C (23° to 113° F)						
Unit Dimensions	19 x 9.1 x 31 cm (7.48 x 3.58 x 12.2 in)	25 × 10 × 38.2 cm (9.84 × 3.93 × 15.0 in)		30.1 × 11.2 × 38.2 cm (11.9 × 4.4 × 15.0 in)			
Unit Weight	6.53 kg (14.4 lbs)	10.7 kg (23.6 lbs)		12.8 kg (28.2 lbs)	13.4 kg (29.5 lbs)	12.8 kg (28.2 lbs)	13.4 kg (29.5 lbs)
Dataline Surge Protection	10/100/1000BASE-T						
Interface	Serial, USB						
On-battery Runtime	Go to: www.apc.com						
EMI Classification	CE, GS, PCT	CE, C-Tick, KETI	CE	CE, C-Tick, KETI		CE	
Approvals	CE, GS, PCT	CE, TUV-GS, GOST, A-Tick, KETI, TISI	CE	CE, TUV-GS, GOST, A-Tick, KETI, TISI		CE	

Service

If the unit requires service, do not return it to the dealer. Follow these steps:

1. Review the *Troubleshooting* section of the manual to eliminate common problems.
2. If the problem persists, contact Schneider Electric IT (SEIT) Customer Support through the APC by Schneider Electric Web site, www.apc.com.
 - a. Note the model number and serial number and the date of purchase. The model and serial numbers are located on the rear panel of the unit and are available through the LCD display on select models.
 - b. Call SEIT Customer Support and a technician will attempt to solve the problem over the phone. If this is not possible, the technician will issue a Returned Material Authorization Number (RMA#).
 - c. If the unit is under warranty, the repairs are free.
 - d. Service procedures and returns may vary internationally. Refer to the APC by Schneider Electric Web site for country specific instructions.
3. Pack the unit in the original packaging whenever possible to avoid damage in transit. Never use foam beads for packaging. Damage sustained in transit is not covered under warranty.
4. **Always DISCONNECT THE UPS BATTERIES before shipping. The United States Department of Transportation (DOT), and the International Air Transport Association (IATA) regulations require that UPS batteries be disconnected before shipping.** The internal batteries may remain in the UPS.
5. Write the RMA# provided by Customer Support on the outside of the package.
6. Return the unit by insured, pre-paid carrier to the address provided by Customer Support

Replace Battery



Deliver the used battery to a recycling facility.

Replace the used battery with an APC by Schneider Electric approved battery. Replacement batteries can be ordered through the APC by Schneider Electric Web site, www.apc.com. Battery replacement part for each model is listed below.

Back-UPS Pro	Replacement Battery
BR550GI	APCRBC110
BR900GI	APCRBC123
BR900G-FR	APCRBC123
BR1200GI / BR1500GI	APCRBC124
BR1200G-FR / BR1500G-FR	APCRBC124

Warranty

The standard warranty is **a.) two (2) years for BR 550GI / 1200GI / 1500GI** and **b.) three (3) years for BR 900GI / 900G-FR / 1200G-FR / 1500G-FR**, from the date of purchase. Schneider Electric IT (SEIT) standard procedure is to replace the original unit with a factory reconditioned unit. Customers who must have the original unit back due to the assignment of asset tags and set depreciation schedules must declare such a need at first contact with an SEIT Technical Support representative. SEIT will ship the replacement unit once the defective unit has been received by the repair department, or cross ship upon the receipt of a valid credit card number. The customer pays for shipping the unit to SEIT. SEIT pays ground freight transportation costs to ship the replacement unit to the customer.

APC by Schneider Electric IT Customer Support Worldwide

For country specific customer support, go to the APC by Schneider Electric Web site, www.apc.com.

Customer support and warranty information is available at the APC by Schneider Electric Web site, www.apc.com.

© 2014 APC by Schneider Electric. APC, the APC logo, Back-UPS and PowerChute are owned by Schneider Electric Industries S.A.S., or their affiliated companies. All other trademarks are property of their respective owners.

EN 990-5383
05/2014