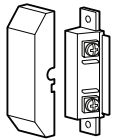
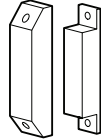


## NetBotz Door Switch Sensor (NBES0303S) for NS WX Cabinet With Swing Handle

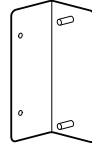
### Inventory



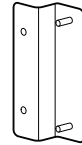
Sensor (1)



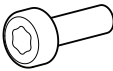
Door magnet (1)



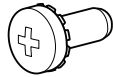
Sensor bracket for cabinet frame (1)



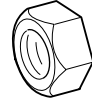
Magnet bracket for cabinet door (1)



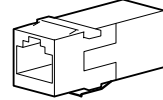
Screw, M3 X 10 TORX for cabinet frame (2)



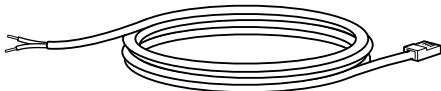
Screw, M4 X 10 Pan head for cabinet door (2)



M3 hex nut (4)



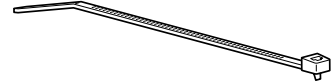
RJ-45 coupler (1)



4.57 m (15 ft) cable for sensor (1)



Adhesive cable tie holder (5)



203 mm (8 in) cable tie (10)



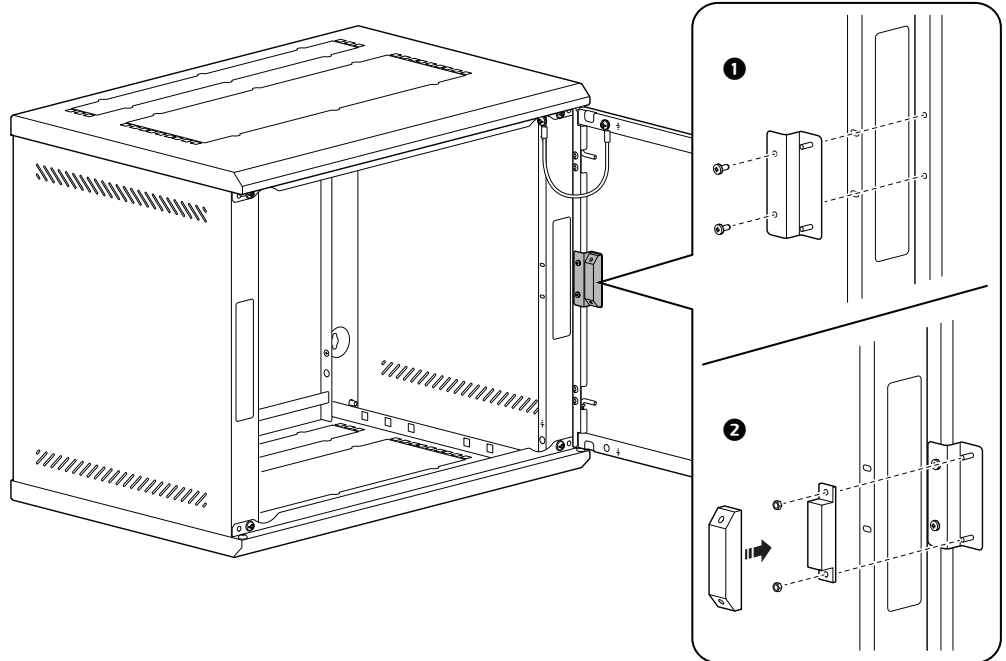
63.5-mm (2.5-in) dual adhesive tape (4)



Screw, 6-32 x 5/16 in (6, not used)

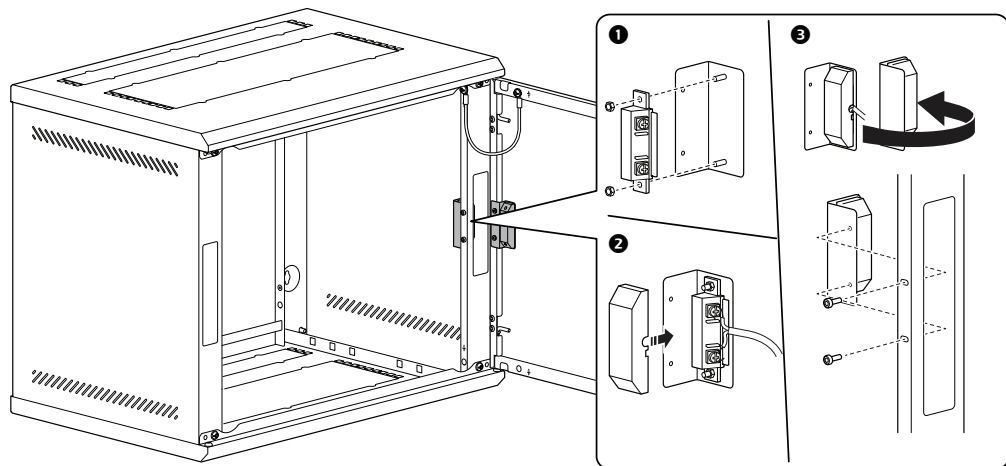
## Install the Door Magnet

Secure the magnet to the door with M4 X 10 Pan head screws. Torque the screws 5 N•m (3.69 ft•lb).



## Install the Sensor

Secure the sensor to the cabinet frame with M3 X 10 TORX screws. Torque the screws 5 N•m (3.69 ft•lb).



## Connect the Sensor

Connect the sensor cable to the appropriate port on your NetBotz appliance (see your appliance documentation for details about ports). You can use the RJ-45 coupler to extend the sensor cable to up to 30.5 m (100 ft) with standard CAT-5 cabling (not provided).

If needed, you can use the adhesive tape, adhesive cable tie holders, and cable ties to manage your cables.

The 6-32 x 5/16 in screws are not used.