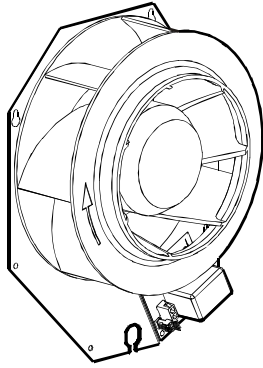
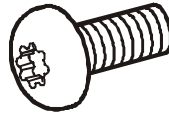


ARU Fan Module (W0M-7054)— Replacement Procedure

Inventory

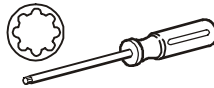


Fan module (1)



M4 x 8 mm Torx™ thread-forming screws
(5)

Required tools



20-IP Torx screwdriver



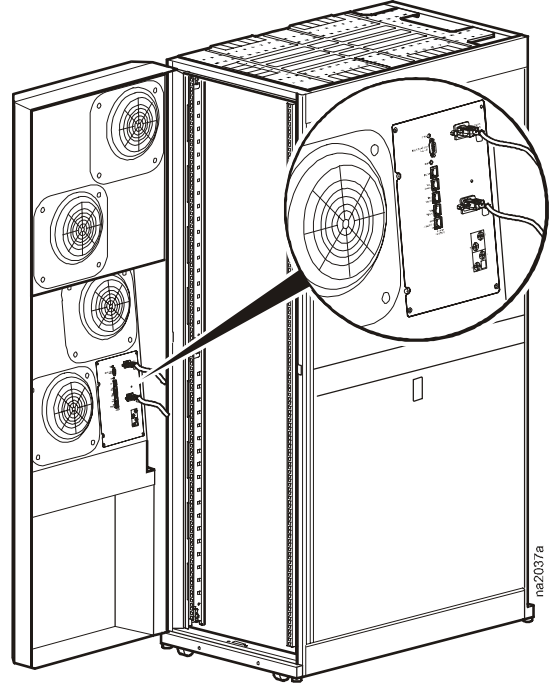
This procedure must be performed by trained APC service personnel.

Install the fan module



The Air Removal Unit (ARU) has multiple power sources. Ensure that all power sources are disconnected before performing any maintenance.

1. Turn off ARU fans through the display interface:
Menu>Set Points>Master Control>Off.
2. Open the ARU and unplug all power cords from the electronics module.

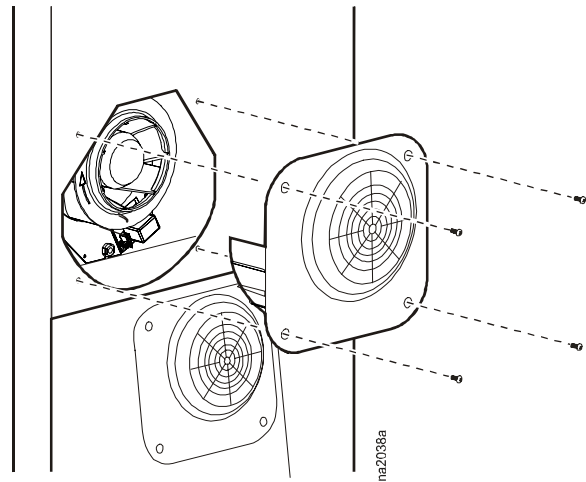


When installing thread-forming screws, take care not to cross-thread them. Do not over-tighten the screws.



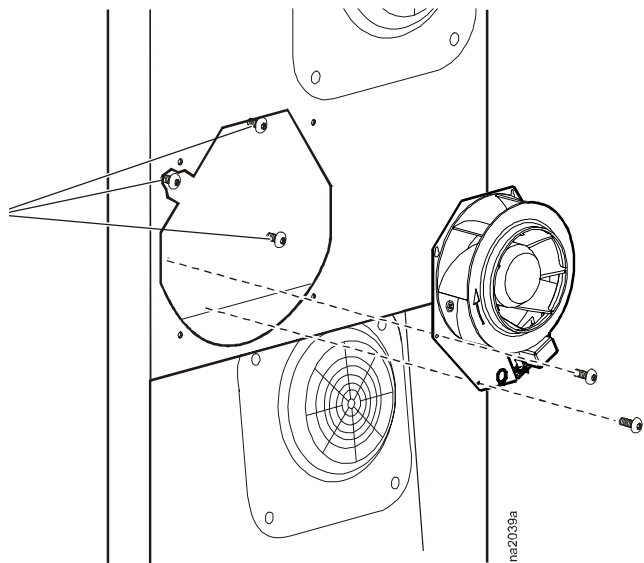
The fans will still spin after power is removed. Wait for the fans to come to a complete stop before removing finger guards.

- Remove four screws. Remove the finger guard. Save the screws for later use.
- Unplug the two connectors from the fan module.



- Loosen the three screws in slotted holes as shown.
- Remove the two remaining screws. Remove the fan module.

Loosen these screws.



Caution

When installing thread-forming screws, take care not to cross-thread them. Do not over-tighten the screws.



Note

Spare screws are included with this kit in case the original fasteners are lost or damaged.

- Install the new fan module by reversing steps 1 through 6.



Warning

Remove fasteners or any other items that may have fallen inside the ARU. Loose objects can be picked up by fans and cause damage to equipment or personal injury.

- Reconnect power to the electronics module panel.
- Turn on unit to verify proper operation.

Customer support for this or any other APC product is available at no charge in any of the following ways:

- Visit the APC Web site to access documents in the APC Knowledge Base and to submit customer support requests.
 - **www.apc.com** (Corporate Headquarters)
Connect to localized APC Web sites for specific countries, each of which provides customer support information.
 - **www.apc.com/support/**
Global support searching APC Knowledge Base and using e-support.
- Contact an APC Customer Support center by telephone or e-mail.
 - Regional centers:

Direct InfraStruXure Customer Support Line	(1)(877)537-0607 (toll free)
APC headquarters U.S., Canada	(1)(800)800-4272 (toll free)
Latin America	(1)(401)789-5735 (USA)
Europe, Middle East, Africa	(353)(91)702000 (Ireland)
Japan	(0) 3 5434-2021
Australia, New Zealand, South Pacific area	(61) (2) 9955 9366 (Australia)

- Local, country-specific centers: go to **www.apc.com/support/contact** for contact information.

Contact the APC representative or other distributor from whom you purchased your APC product for information on how to obtain local customer support.

Entire contents copyright 2006 American Power Conversion Corporation. All rights reserved.
Reproduction in whole or in part without permission is prohibited. APC, the APC logo, and InfraStruXure are trademarks of American Power Conversion Corporation. All other trademarks, product names, and corporate names are the property of their respective owners and are used for informational purposes only.

